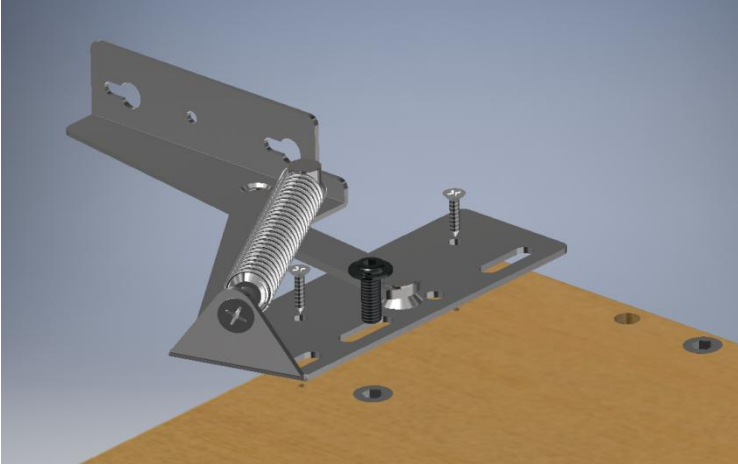


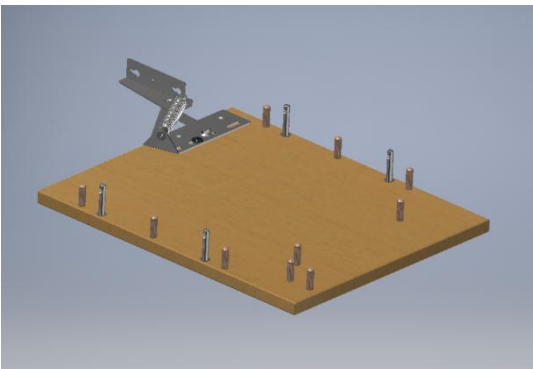
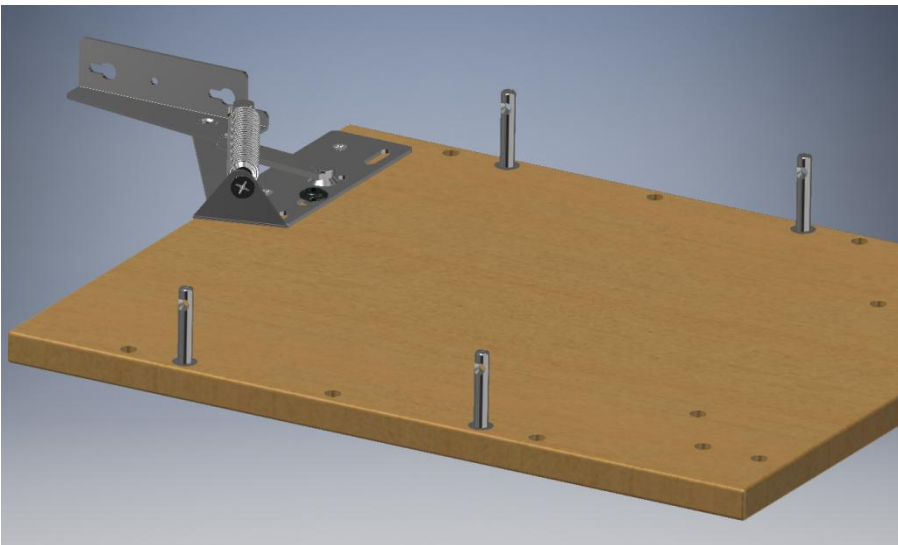
## Ottoman 2017

The end pieces are assembled with a hinge, excentric screws and dowels.

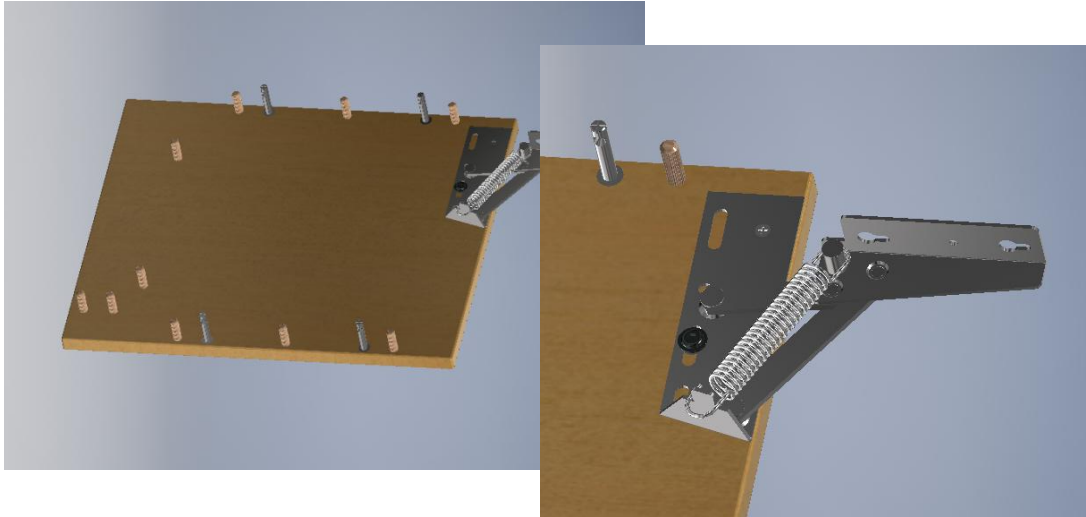
The left hinge as shown here must face the ottoman.



The eyelets of the excentric screws should face towards the front and rear edges.

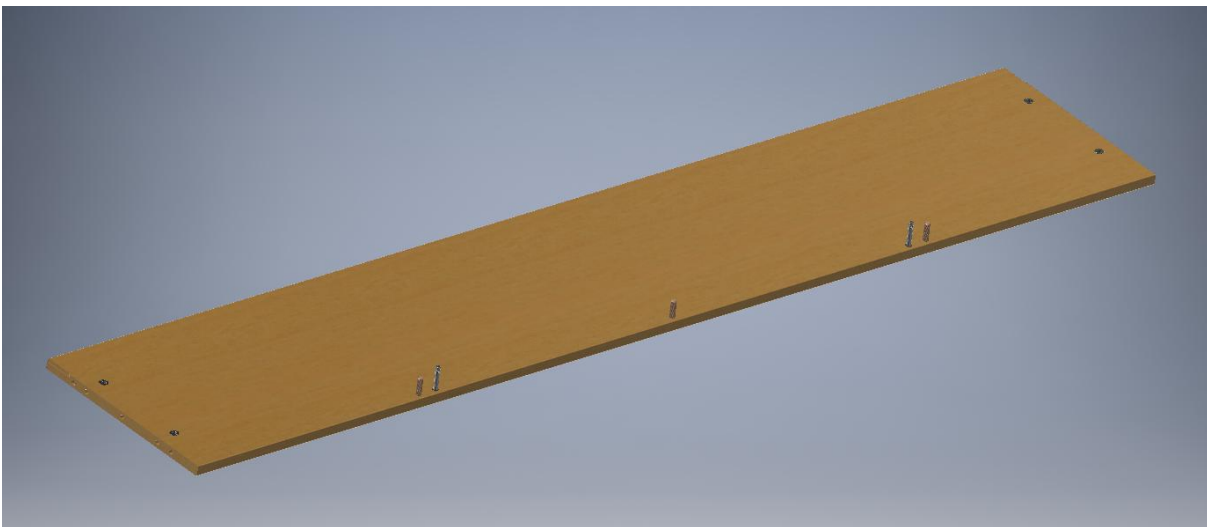


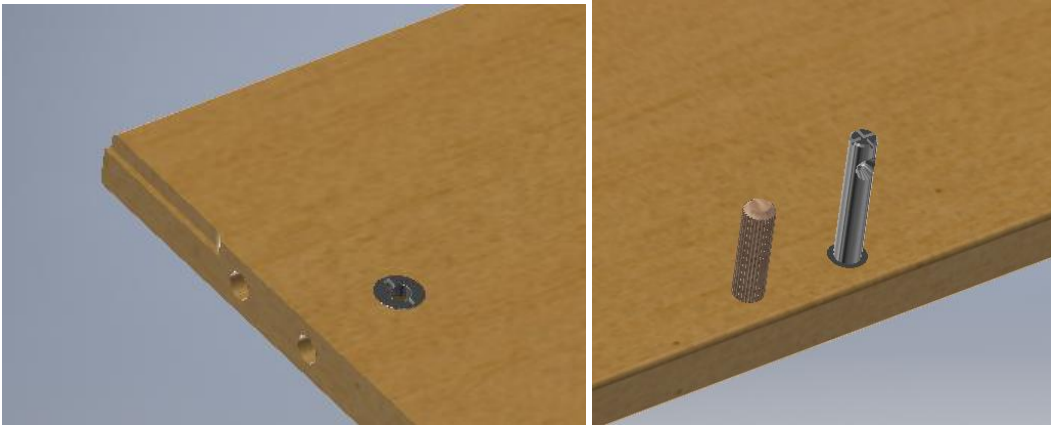
The right end piece:



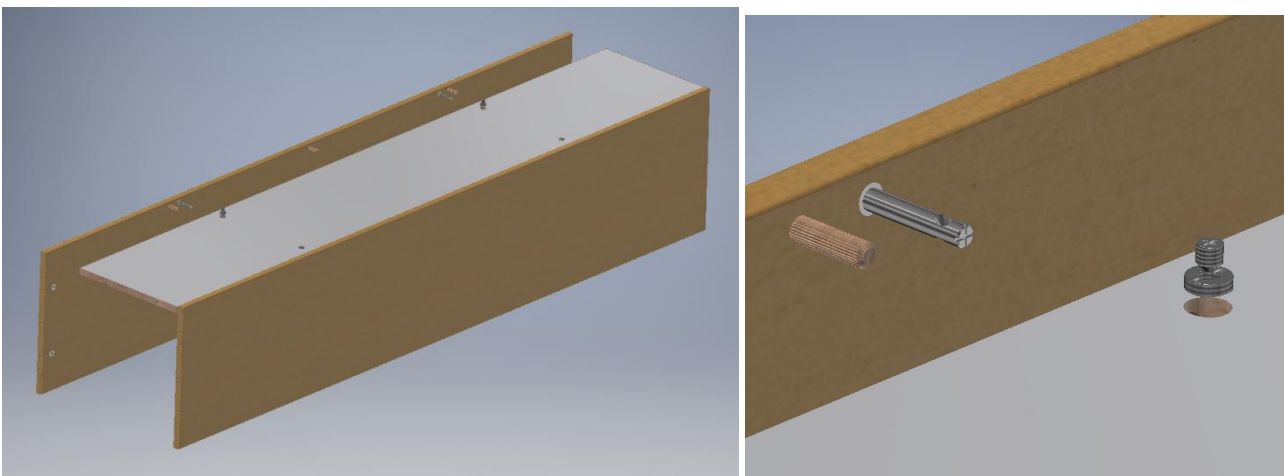
The back piece is fastened to the front with excentric screws, dowels and  $\varnothing$  14-M8 threaded inserts.

The back piece is the one with millings.

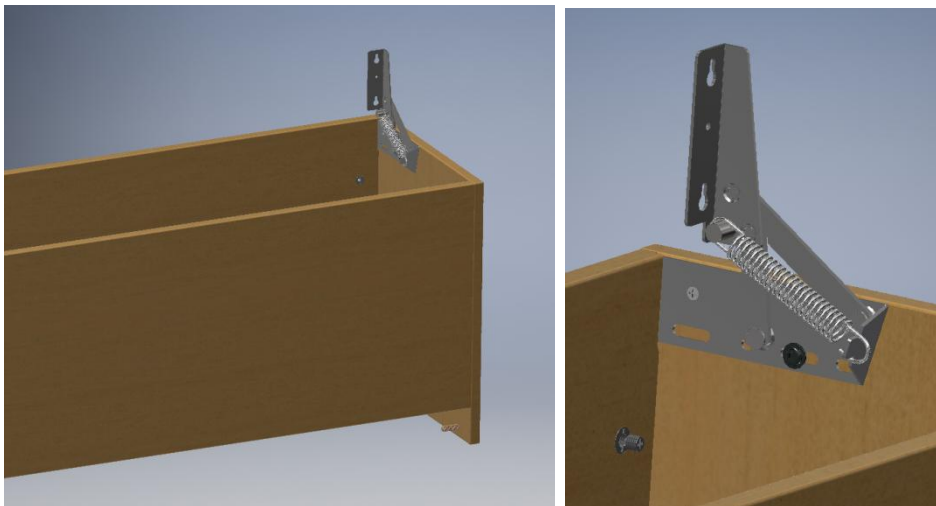




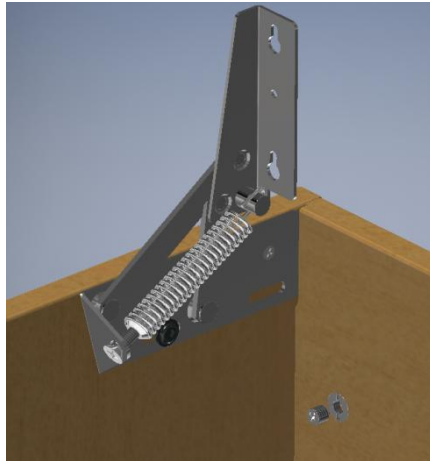
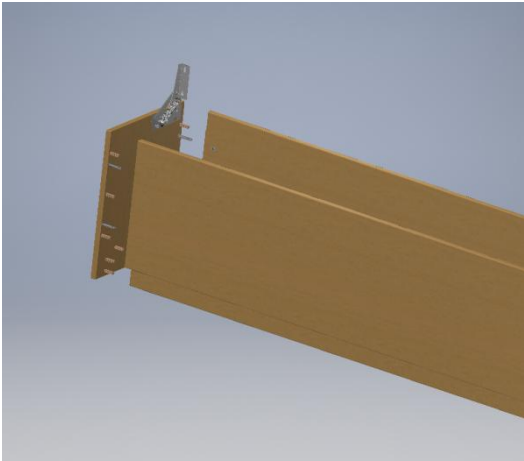
Assemble back piece, front and bottom part.



Place the right end piece and lock it with screws.



The base and the left end piece are positioned, and the end piece is also locked with screws.



Fasten the lid.

