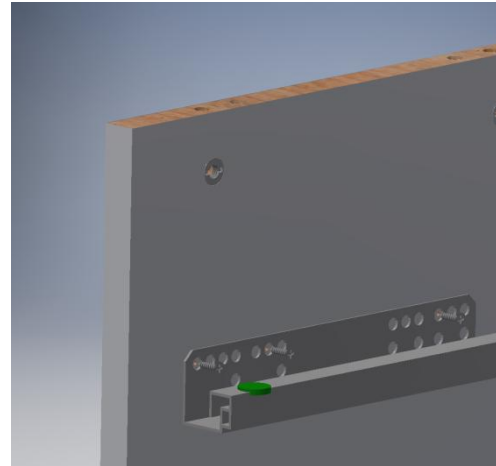
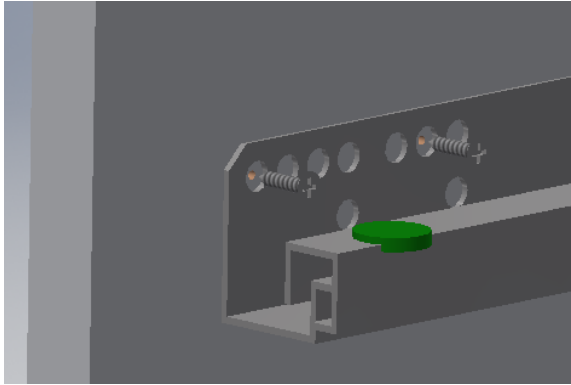


Bedside table with soft-close drawer(s)

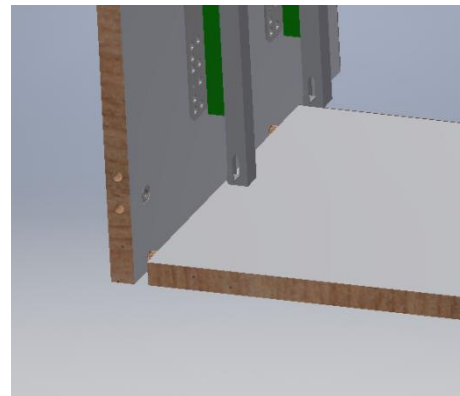
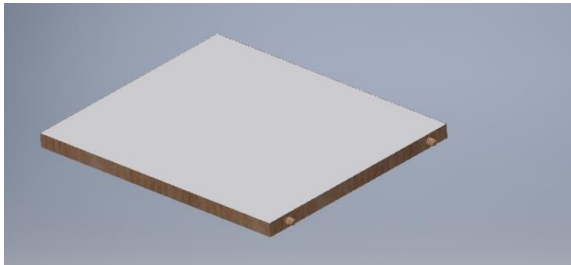
There are 2 versions of this bedside table: with either 1 or 2 drawers.

- 1) Fit the rails on the side panels using the pre-drilled holes.

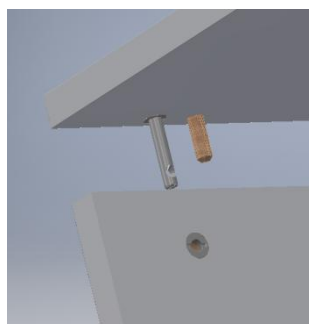
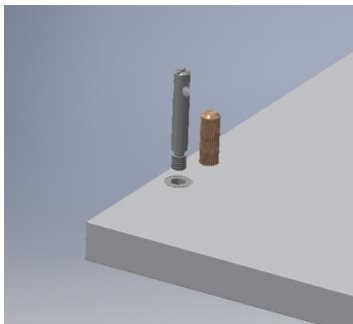


The rails are marked right (R) and left (L.)
Closest to the front panel use the outermost positioned hole of the rail.

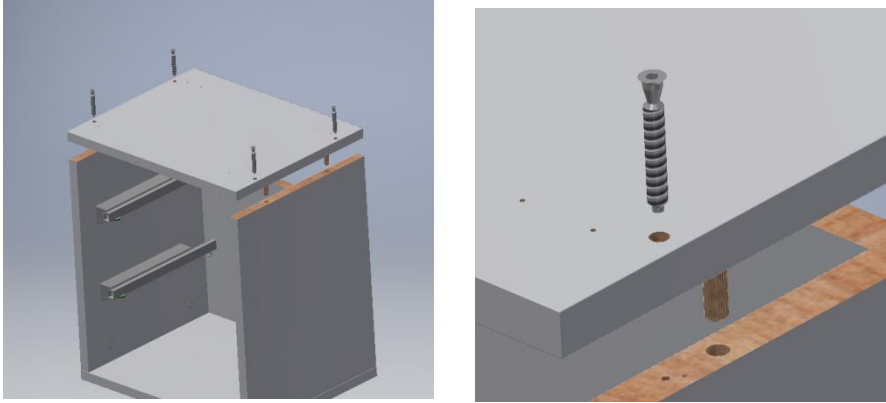
- 2) Connect the side panels and the back piece using dowels.



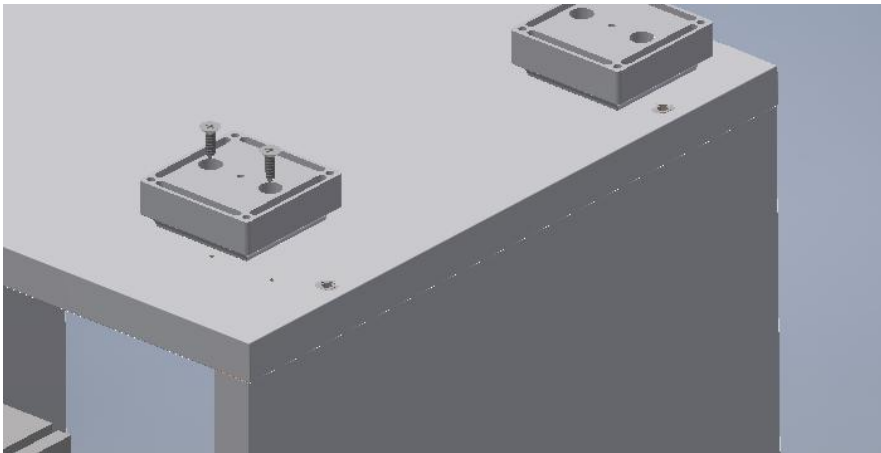
- 3) Assemble the top with dowels and pinhole screws
(make sure that the eye of the screw points towards the center.)



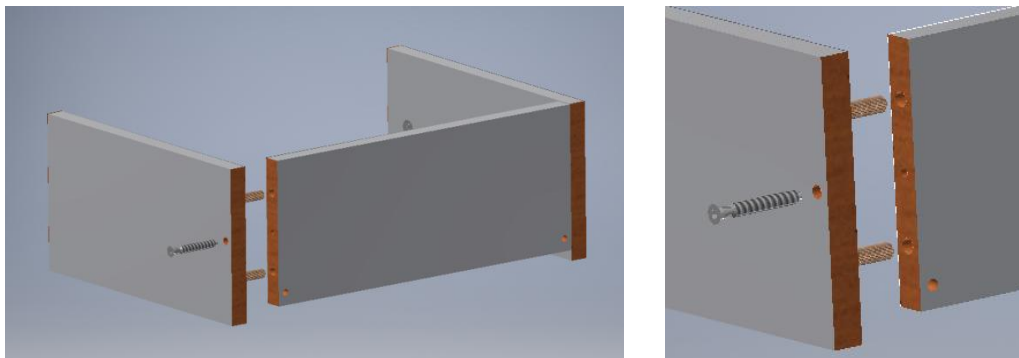
4) Assemble the bottom part with the side parts.



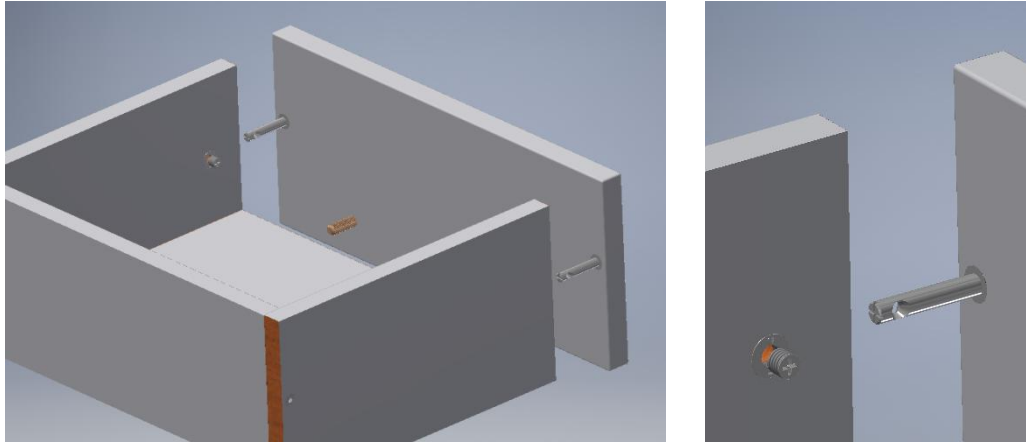
5) Position the legs of the bedside table. The exact position of the legs is clearly marked.



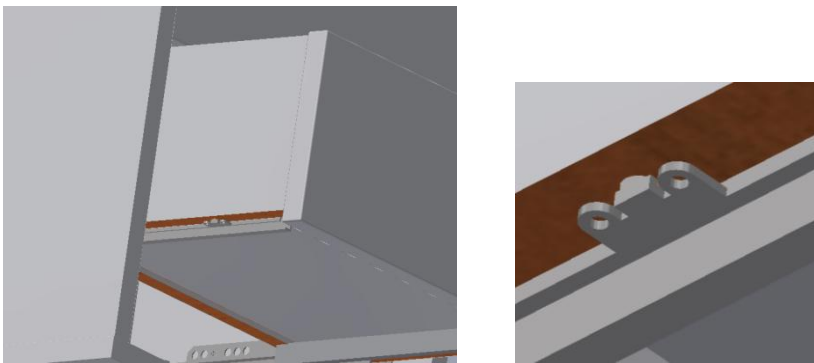
6) Assemble the drawers
Put the dowels in the side holes and connect the backside part. Please note that the holes of the back part should be facing back- and downwards.
Be sure to place the holes of the side parts that are needed to fixate the front panel turning to the inside.



- 7)** The front panels of the drawers are assembled with dowels and tracks. The bottom of the drawer is placed, and the front panel is fastened. The top side of the drawer front must be in line with the side pieces. The front is secured with socket screws.



- 8)** Mount the drawer in the cabinet so it clasps on to the hook of the rails.



If necessary the height can be adjusted.

