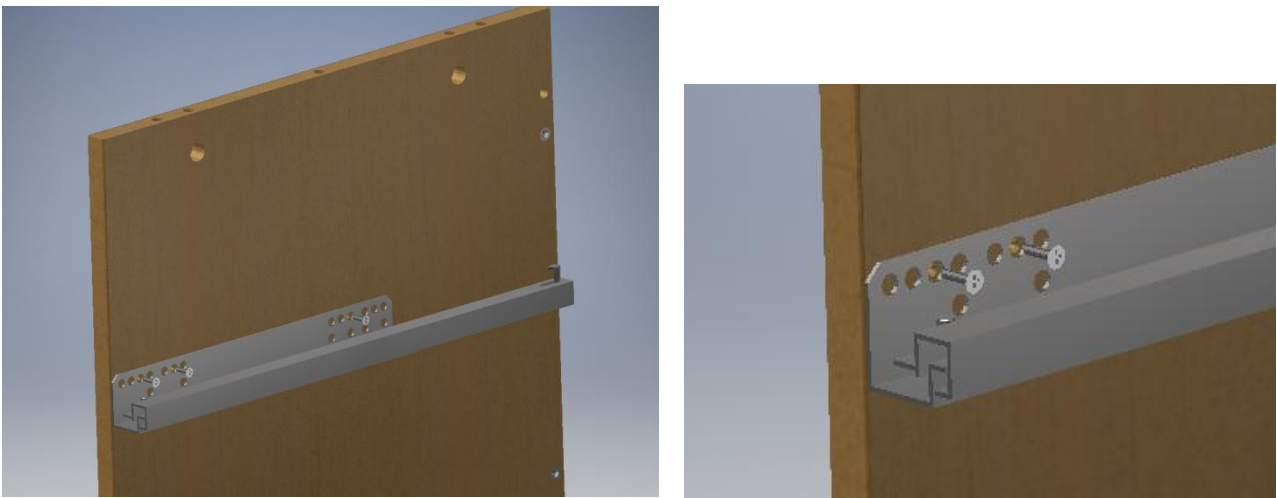


Chest of drawers 2016

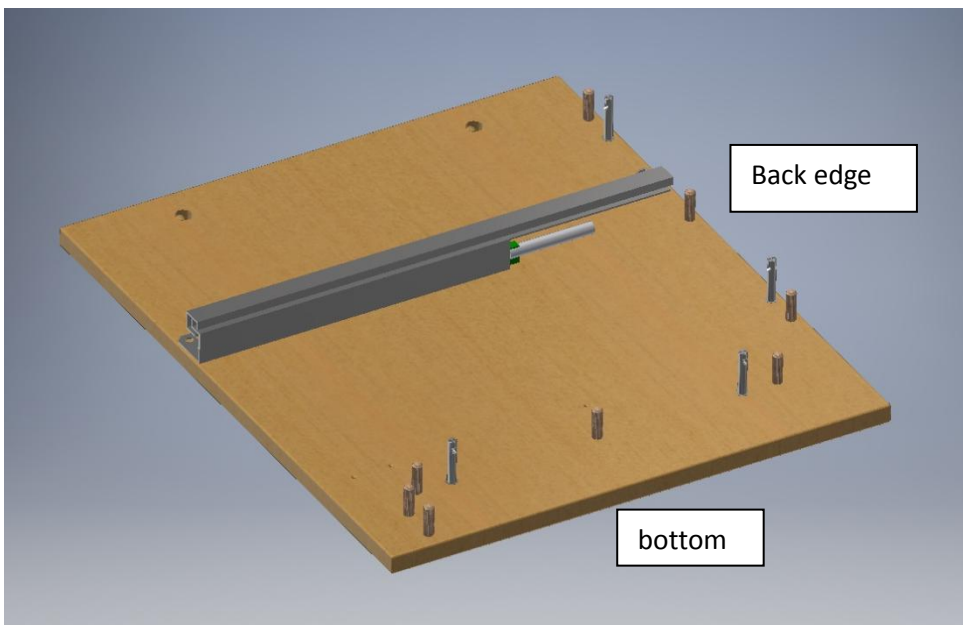
All pictures shown in this manual are of the lowest model: width 50 cm and height 52 cm with 2 drawers.

Rails, socket screws and dowels are fastened to the side pieces of the drawers. The lower rail is not fastened until the sides, the bottom parts and the back pieces are assembled.

Left side: the rail is marked 400-L:

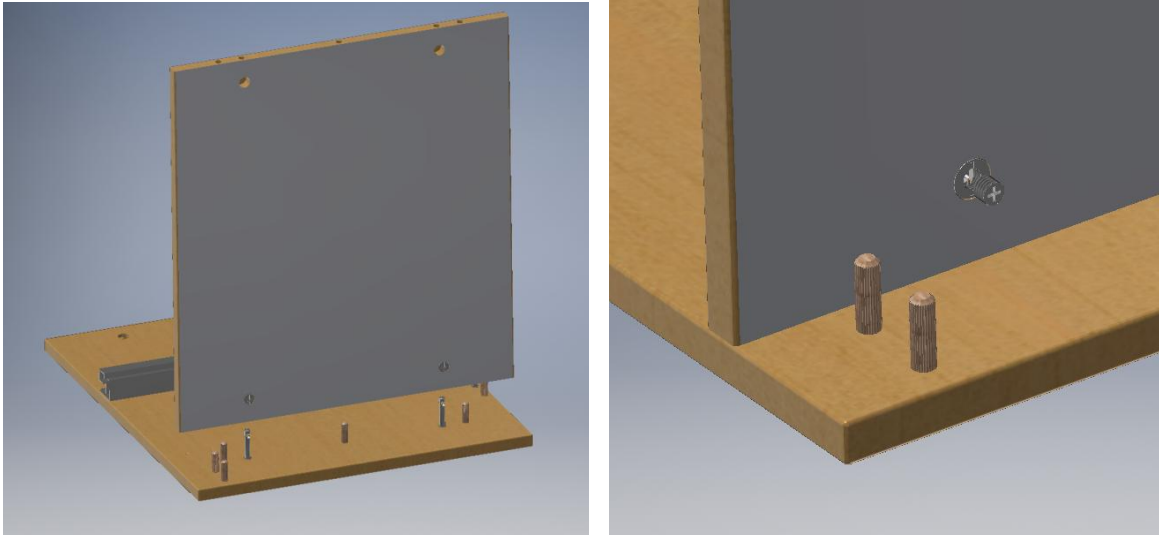


The eyelets of the socket screws should face towards the back edge and the bottom.

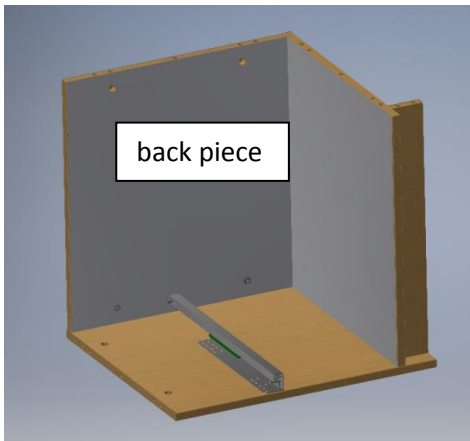


Right side: the rail is marked 400-R.

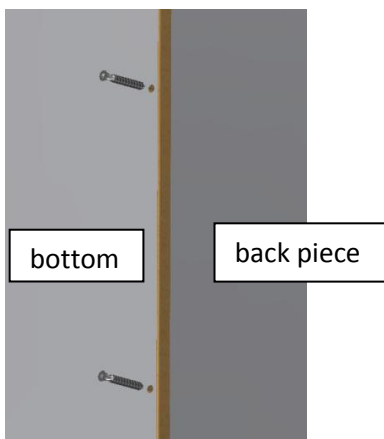
The left side is positioned on the outer side. Bushings are placed in the bottom part, and then the bottom part is lowered onto the socket screws and dowels. The bottom part is locked with socket screws.



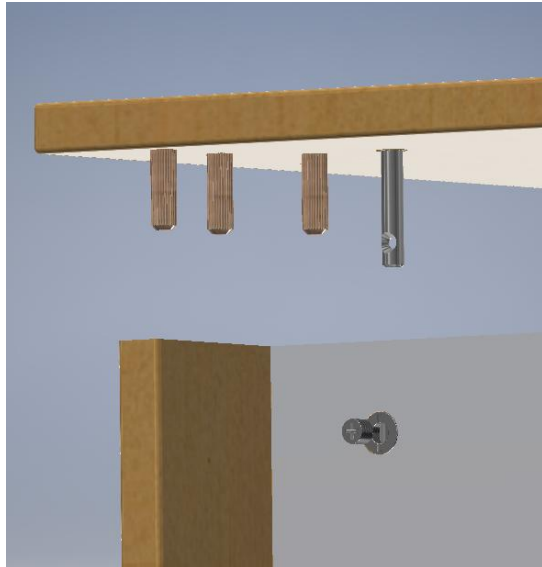
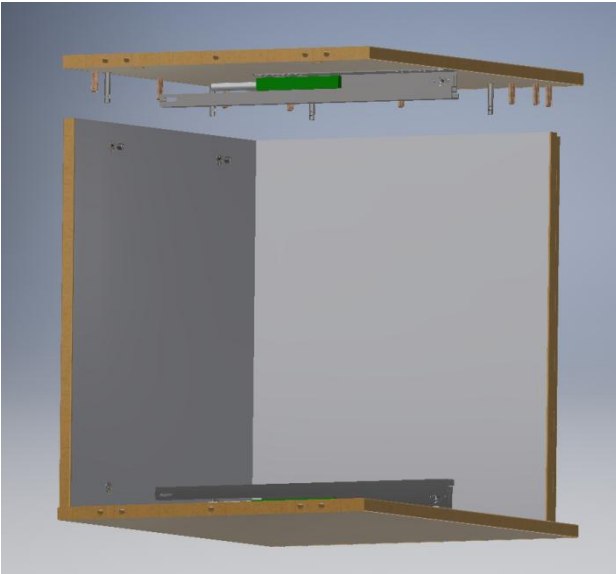
The back piece is assembled in the same way as the bottom part was, and the base part is lowered onto the dowels on the side.



If the chest of drawer is 100 cm wide the bottom part is screwed onto the back piece with 2 screws positioned in the middle.

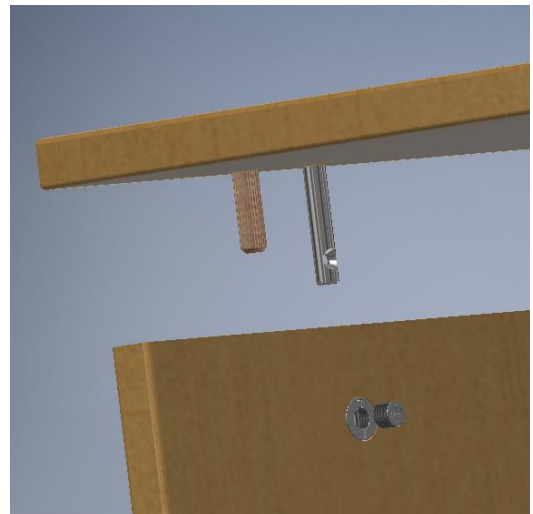


The bushings are placed in the bottom and back pieces, and then the right side is fastened.



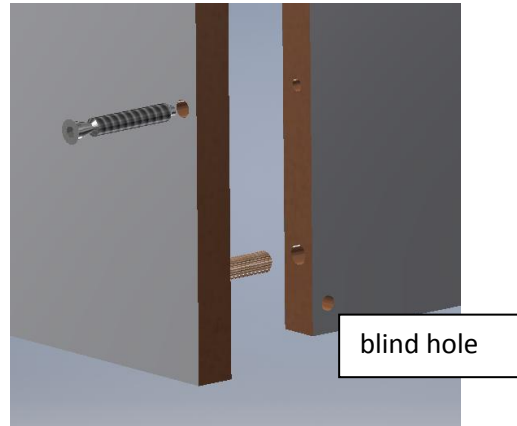
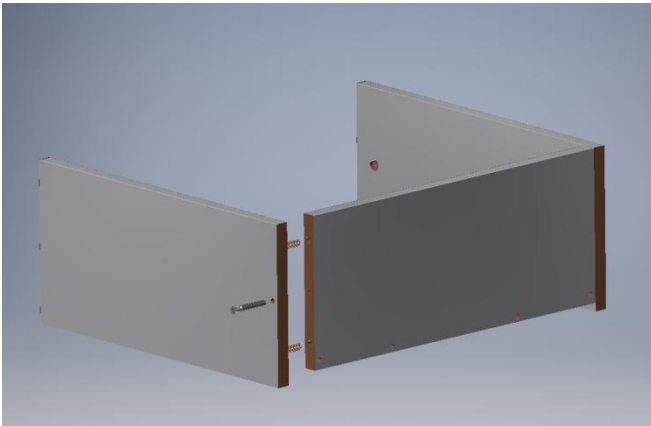
The lower drawer rails are now fastened with screws.

The dowels and socket screws are mounted on the top part. The overhang should be on the front side above the drawer fronts.

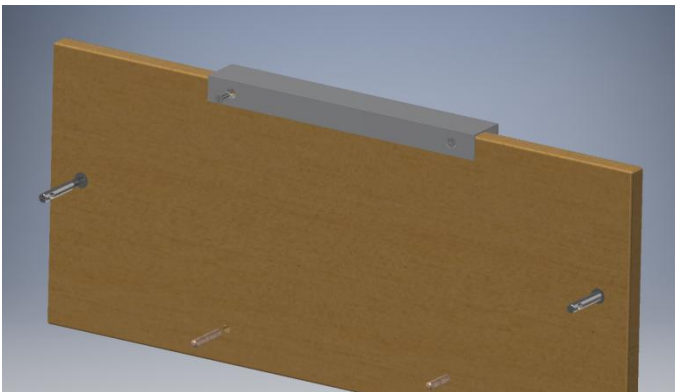


The drawers are assembled.

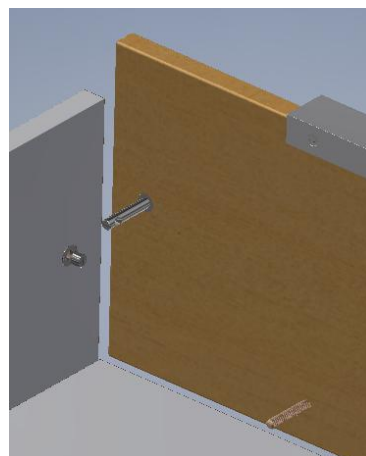
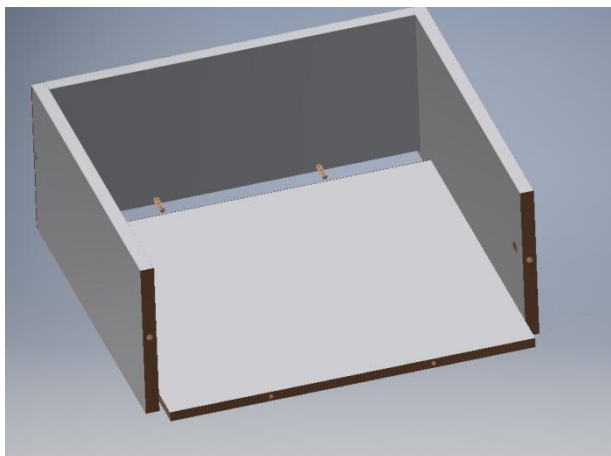
The dowels are placed on the sides, and the back piece is now fastened to the sides. It is important that the blind holes in the back piece should face towards the back and also downwards.



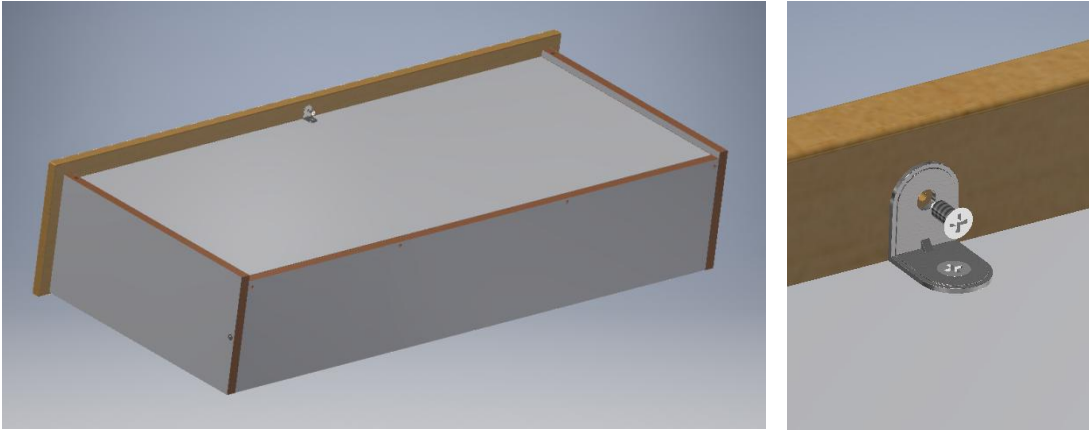
The front of the drawer is mounted with handles, socket screws and dowels.



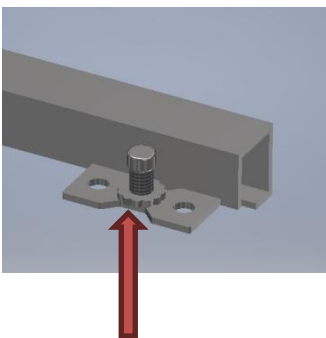
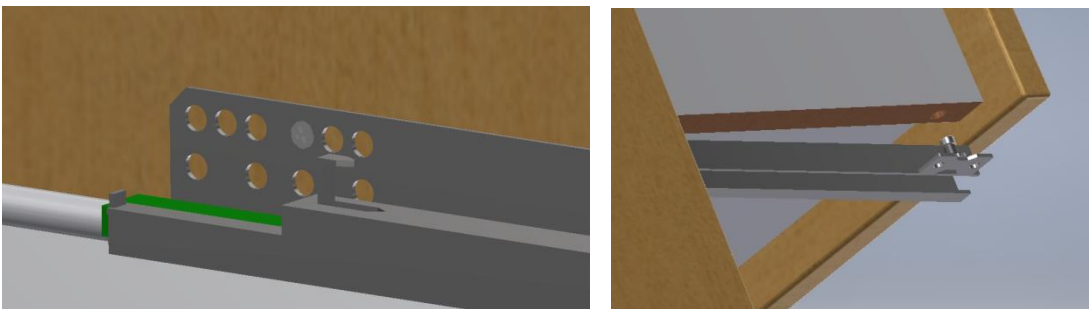
The bottom of the drawer is mounted with dowels on the back piece, and the front of the drawer is pushed into place. The upper side of the drawer must be in line with the sides.



If it is a 100 cm wide drawer an angle bracket is used to secure the bottom and the front of the drawer. The bottom of the drawer is fastened, and the pre-drilled hole intended for the angle bracket should face forwards and downwards. First screw the angle bracket to the bottom and then to the drawer front.



The drawer rails are pulled out approx. 20 cm. The drawer is placed in the cabinet. The hooks at the back of the rails should glide into the holes of the back plate, and simultaneously the hooks at the front of the rails should glide up into the holes at the underside of the drawer sides.



The drawer height can be fine-tuned.

Example:

Width 50 cm and height 52 cm ~ 1 drawer row



Width 100 cm and height 52 cm ~ 2 drawer rows



Chest of drawer height:

- 52 cm ~ 2 drawers
- 84 cm ~ 4 drawers
- 105 cm ~ 5 drawers

Chest of drawer width:

- 50 cm ~ 1 drawer row
- 100 cm ~ 1 or 2 drawer rows

When the chest of drawers are with 2 drawer rows, we also supply 6 extra screws to attach the 2 sections firmly together.