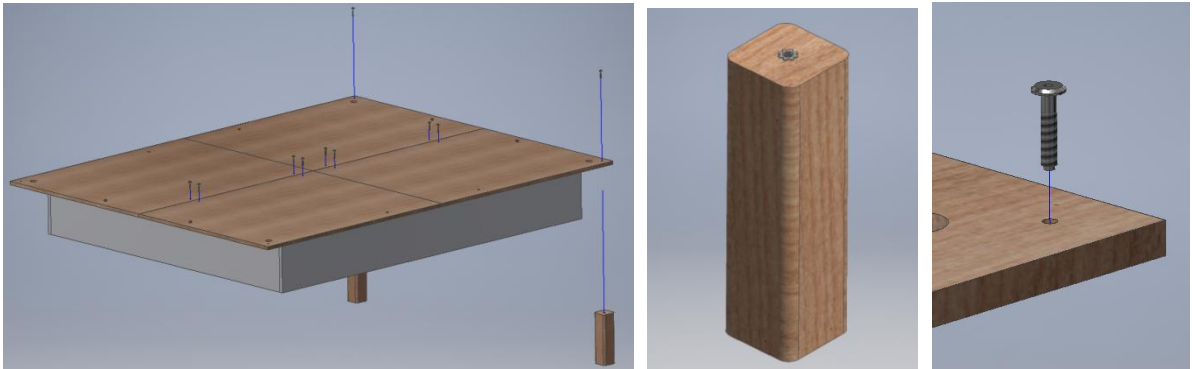
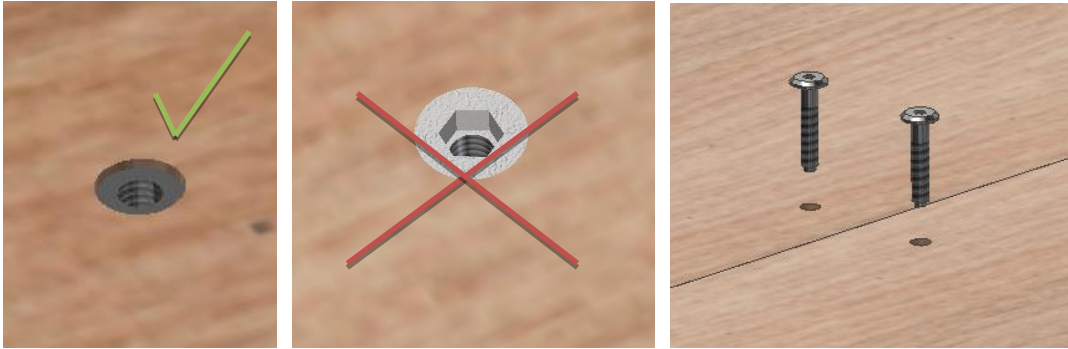


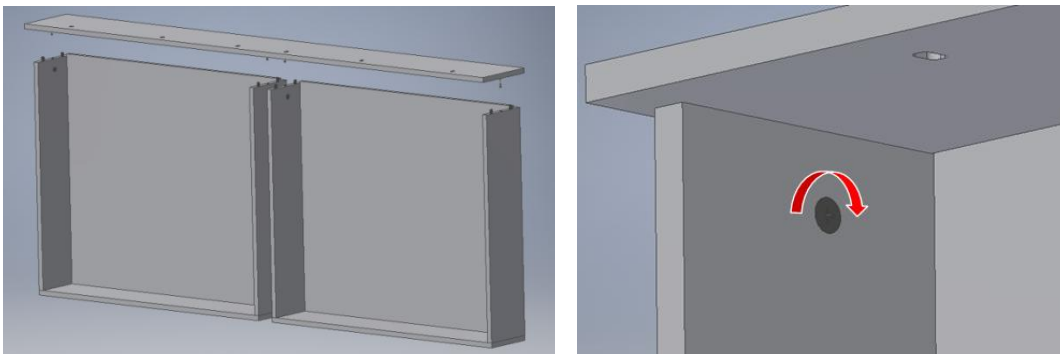
AKVA Modulex SELECT with headboard

1. Assemble the base frame. See assembly instructions for Big Box without headboard.
2. The bottom plates are placed on the base and attached by the screws. The threaded bushings of the bottom plates must face up as illustrated.
3. The 2 legs at the head end are fastened with screws. A lock washer is placed between the leg and the bottom plate.

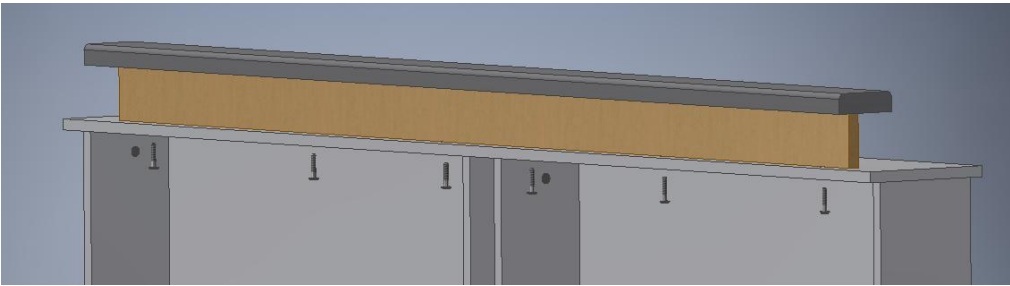


Base with drawers (see 3-6)

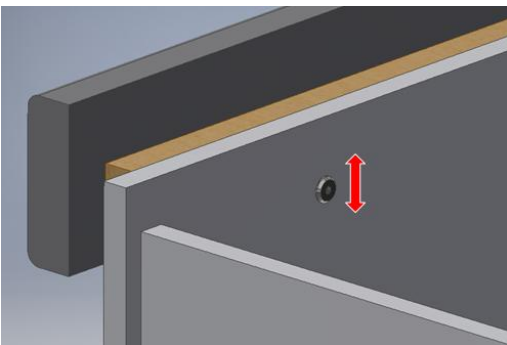
4. Place the drawers with the front opening facing up. The front panels of the drawers are positioned on the dowels, and the socket screws in the side pieces are fastened.
Note: Do not lift the drawer until the next point has been done, because the sides of the drawers are not stabilized yet.



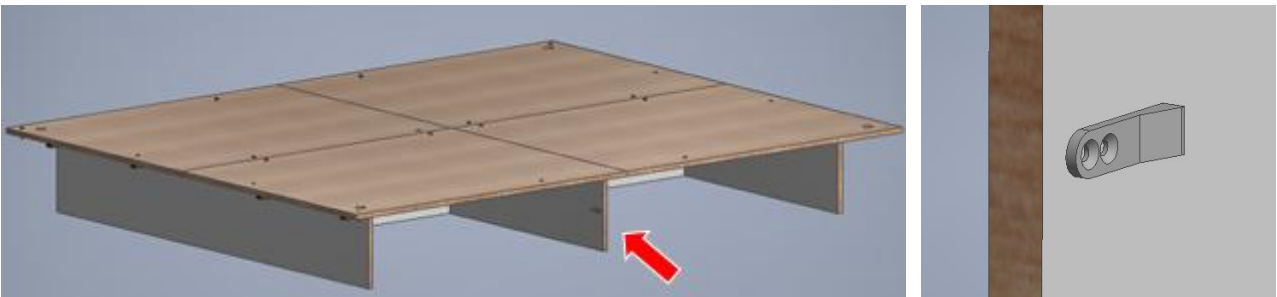
5. The upholstered front is fastened with screws as illustrated, but not too tight at this point.



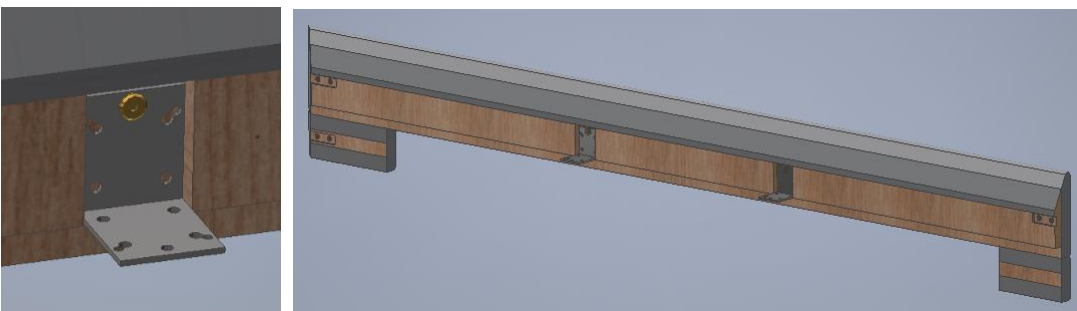
6. The front can be adjusted to perfectly fit the sides of the bed. This is the final step.



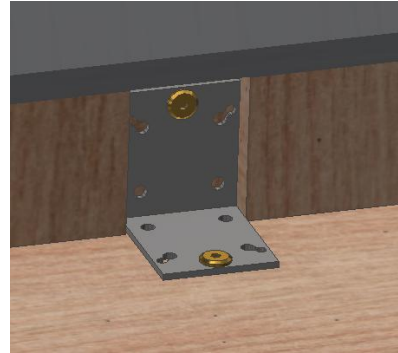
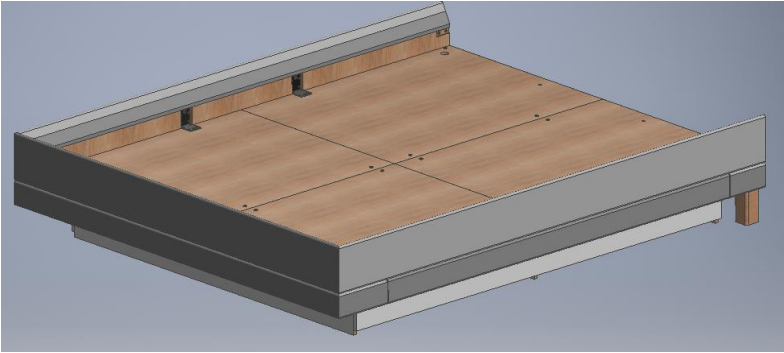
7. A steering plate for the drawers is screwed to each side of the central base section. Place them staggered to avoid the screws hitting each other.



8. The long sides of the frame and the foot end are positioned with angle brackets, but not fastened too tight at this point. (**This applies for beds with an upholstered frame.**)



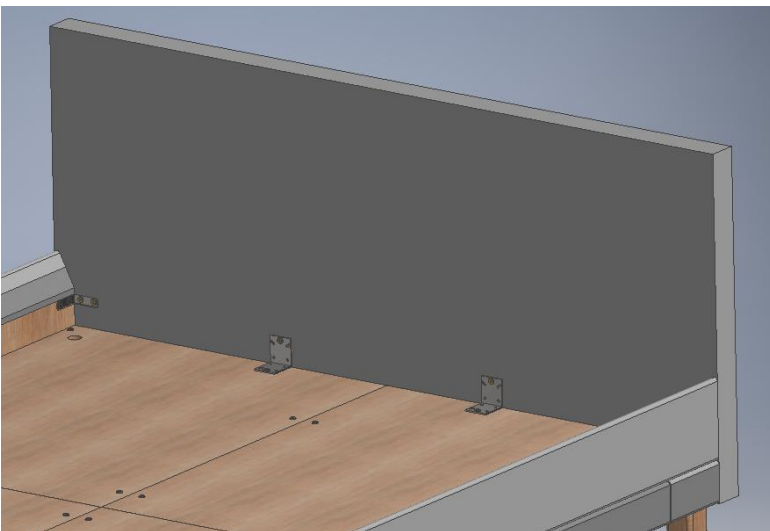
9. The bed frame is positioned on the base without fastening the screws of the angle brackets too tight.



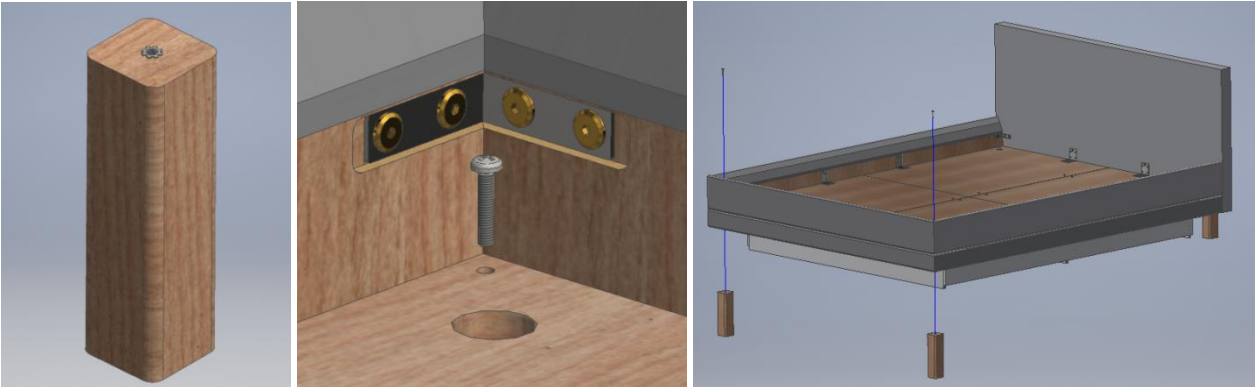
10. Angle brackets are fastened loosely at the corners. Then the screws at each corner are tightened one by one beginning with the inner screws. After this the angle brackets connecting the bed frame and the base are tightened. Two angle brackets are fastened at each corner.



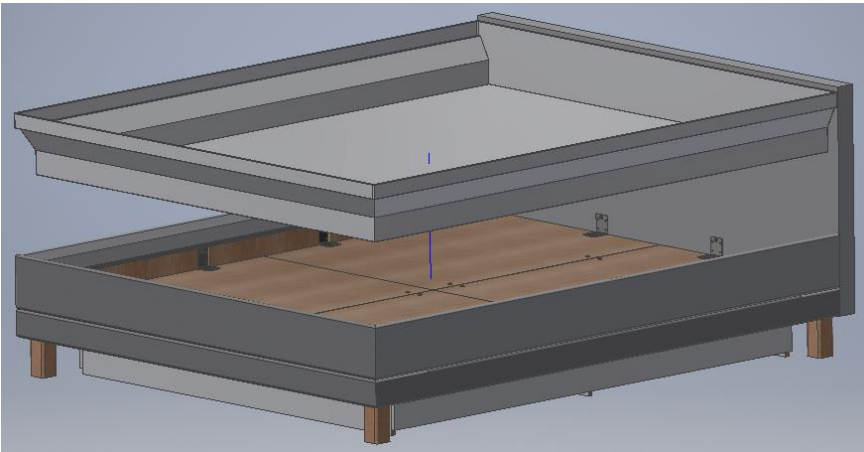
11. The headboard is fitted with one angle bracket at each corner and two secured to the base.



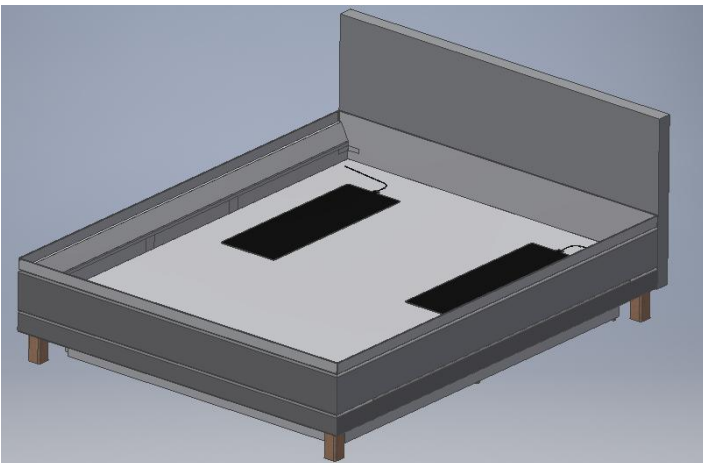
12. Secure the two bed legs at the foot end. A lock washer is placed between the leg and the bottom plate.



13. The lower part of the cover is placed on the bed.

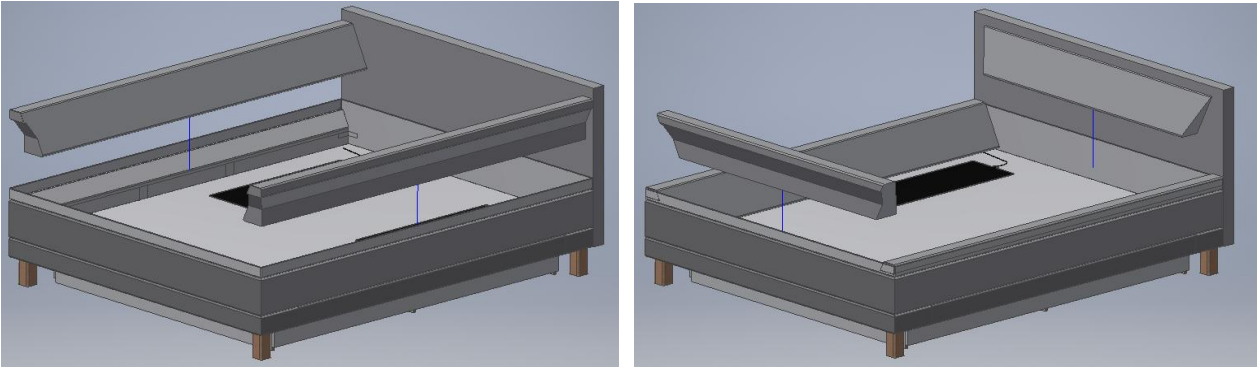


14. The heating elements are placed on each side of the bed at the head end. The cables are led through the holes in the bottom plates and in the lower part of the cover.

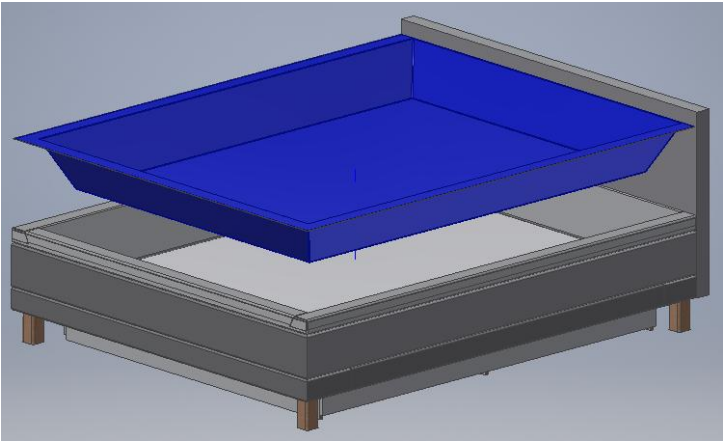


15. The foam sides and ends are positioned. Begin with the long sides, then place the head and foot end.

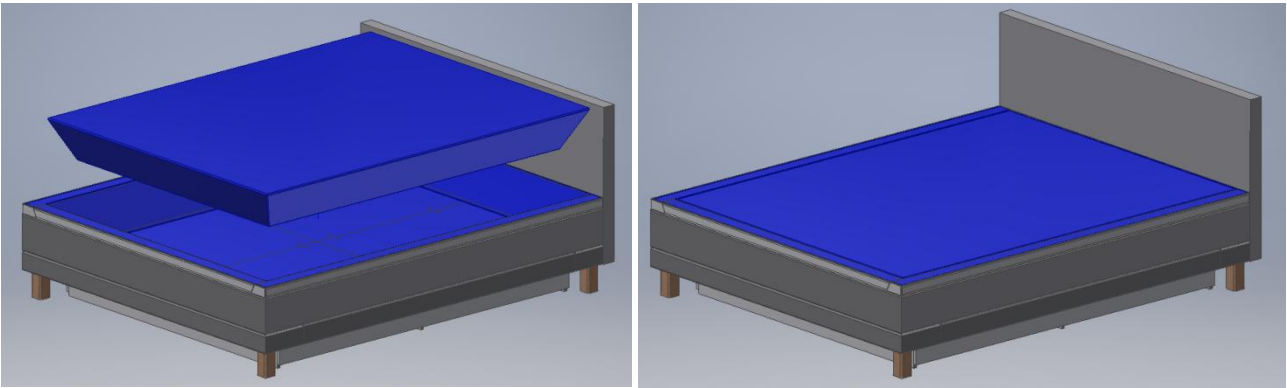
Note: The thin section is placed by the headboard.



16. The Zipliner is positioned and zipped onto the lower part of the cover.



17. Place the mattress(es) – see assembly instructions for mattresses.



18. The top cover is zipped on.

