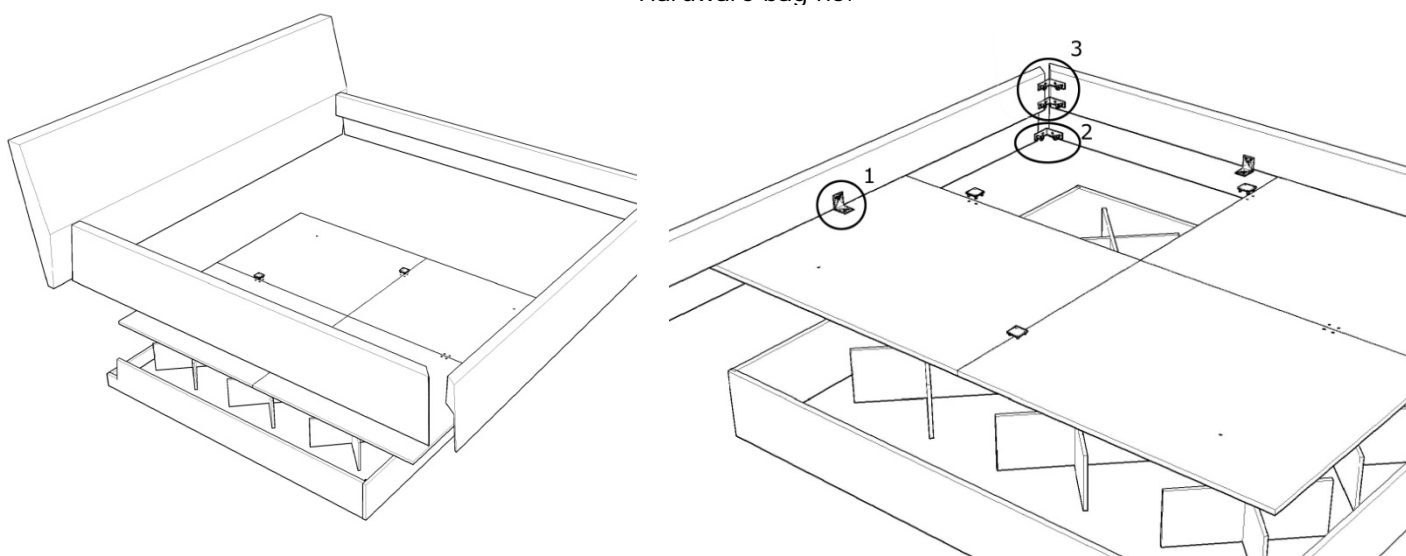


AKVA MIRA WITH HEADBOARD

- Assemble the base, position stabilisers and base boards. See instructions for Akva Box.
- Fit the Mira frame by fastening the angle brackets loosely on the upholstered side pieces. Loosely fit the upholstered foot piece to the side pieces. Hardware bag no. 3 is to be used above the base boards, bag no. 2 below the base boards.
- Position the headboard on the base and secure it to the frame with angle brackets. Fasten the corners of the frame one by one. Begin with the screws farthest in.
- When the frame is tightened, it is fastened to the base board with angle brackets in the middle of each upholstered piece (Hardware bag no. 1.)
- The headboard is secured to the base boards with angle brackets (Hardware bag no. 1)
- Fit the rest of the bed. See instructions for HARDSIDE and INSIDE respectively, beginning from item (3.) When Inside version: the lower foam is only to be placed on the base boards, it is not to be secured with Velcro tape.

Hardware bag no:



Hardware bag no:

