

# COVER

## Washing

The top of the cover must be regularly aired, washed and cleaned. Please follow the washing instructions sewn on to the cover. Do not fill the washing machine so that the drum cannot turn.

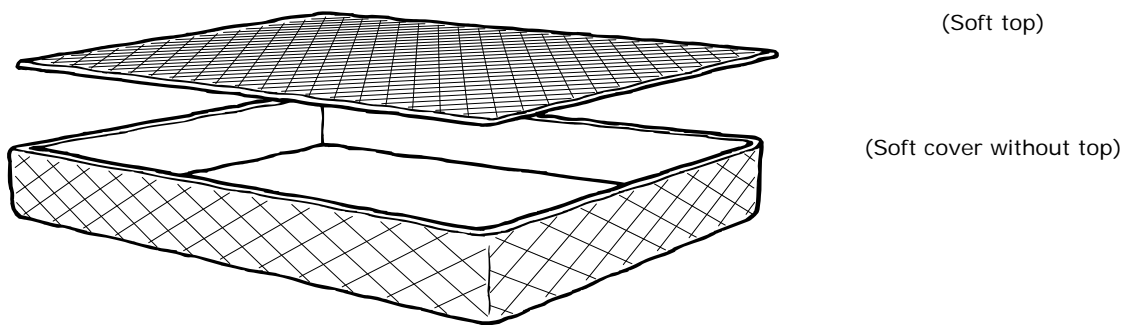
Daily airing of the bedroom and regular washing/cleaning are essential if marks and discolorations that might otherwise be caused by perspiration are to be avoided.

A protective cover placed on the cover reduces the need for washing/cleaning and extends its life span. A protective cover also reduces the risk of the above-mentioned marks and discolorations.

Covers made of extremely flexible materials will stretch over time. Washing/cleaning restores the cover to its original shape.

## Re-ordering of covers

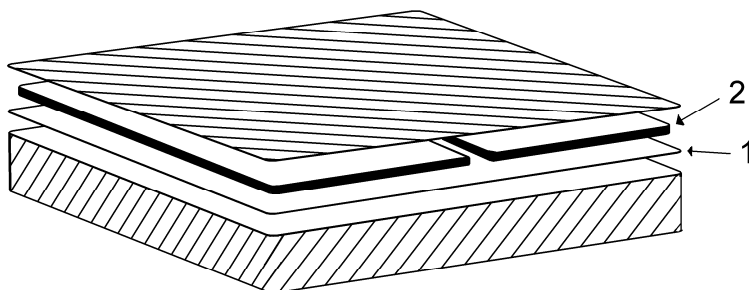
Loose cover tops can be re-ordered, for example a light summer top can be ordered for a cover bottom purchased with a thicker top for up to 5 years after purchase. If the cover is older than 5 years we recommend that a complete cover is ordered.



## COMFORT TOP

For a more firm comfort, the heavy fibre filling is to be placed as follows:

- Zip the thin, brown layer of fiberweb onto the bottom of your cover ( 1 ).
- Place the two fibre layers on each side of the bed ( 2 ).
- Zip the top cover onto the fiberweb layer.



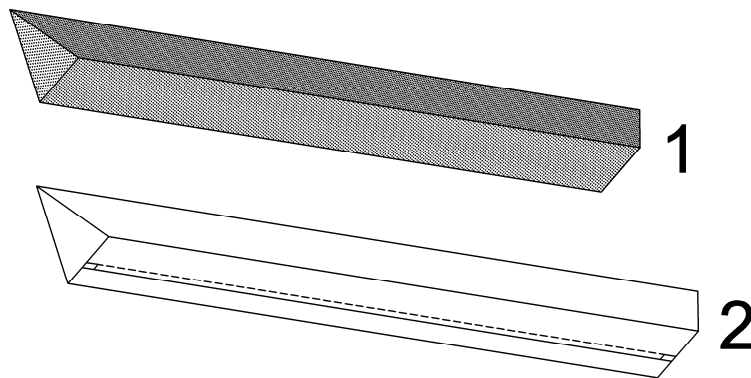
## TOPLINER

The topline is attached to the lower part with the zipper, and afterwards the upper part of the cover can be zipped on.

## COVER FOR FOAM DIVIDERS

Hygienic cover which can easily be wiped dry (not water-proof.)

- Bend the divider slightly on the middle and place the ends of the divider in the cover ( 1 ).
- Close up the cover tightly at the bottom with fastening tape ( 2 ).



## SHEET

We recommend that the sheet is washed prior to use. After wash the size will fit your bed as the fabric is not prewashed and accordingly will shrink. In order to preserve the exclusive sateen-quality, please wash separately at 60° C and tumble dry.