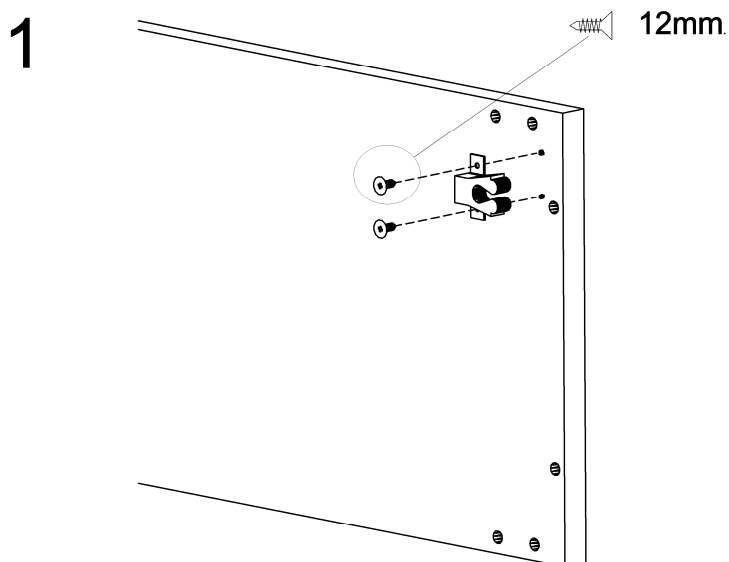


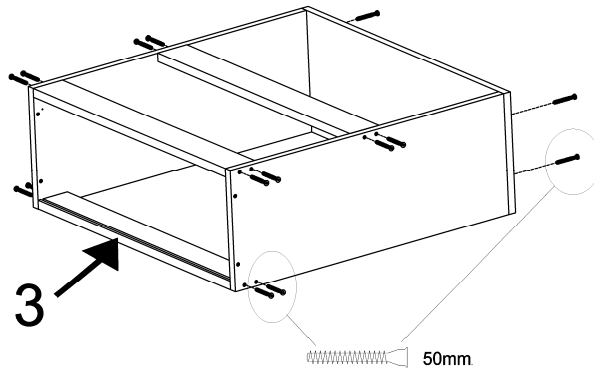
AKVA STORAGE BASE, SINGLE

If the base has storage space on only one side or is designed for a bed with a width of 90, 100 or 120 cm.

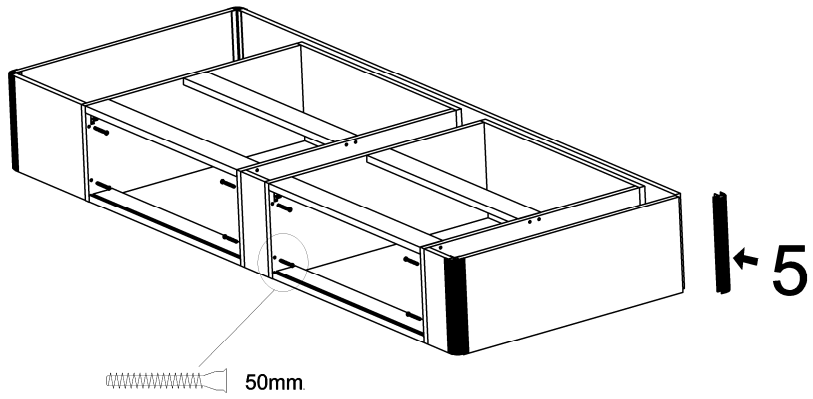
- Mount the roller locks on the cabinet sides where two points are marked with holes (1).
- Assemble the cabinet sides (2). Mount the spacer with the milled groove so that it is placed at the bottom of the cabinet. The groove should be closer to the front, facing upwards at the bottom of the cabinet (3).
- Assemble the cabinets with an intermediate piece (4).
- Place an intermediate piece on the cabinets at the leg end (4)
- At the head end, mount a head end piece (4). Attach the base using the aluminium corners (5)
- If the bed has a headboard: mount the headboard brackets on the head end piece (6).
- Mount the roller locks on the front (7).
- Insert the front holder in the pre-drilled holes on the front. Ensure that the tip of the holder is facing away from the front so that you have an opening that fits into the milled groove (7)
- The front is placed by tilting it into the groove and then lifting it up (10).
- Place the stabilisers as shown in the drawing. With headboard (8). Without headboard (9).
- For fitting the base boards: see the instructions for the Akva box base.



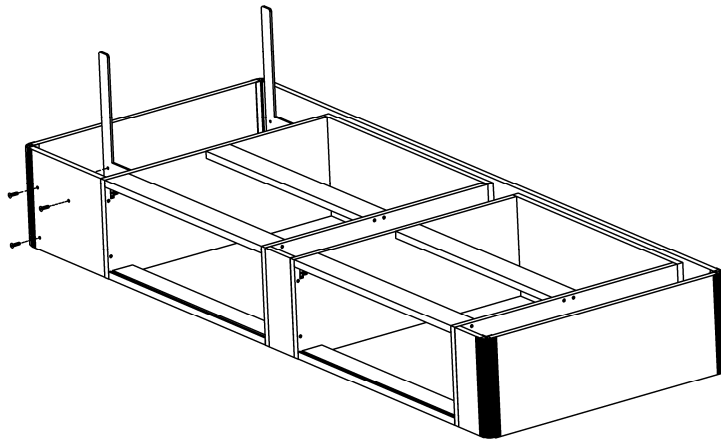
2



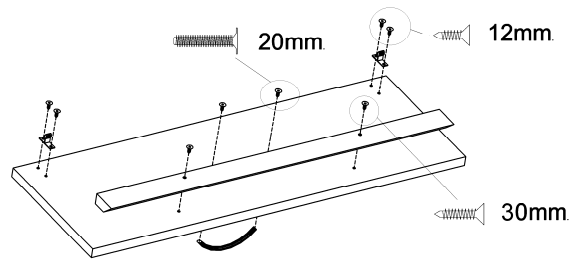
4



6



7



8



9



10

