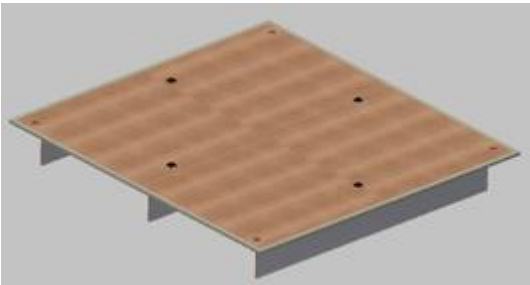
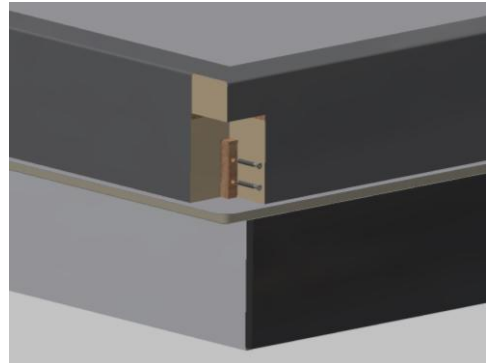
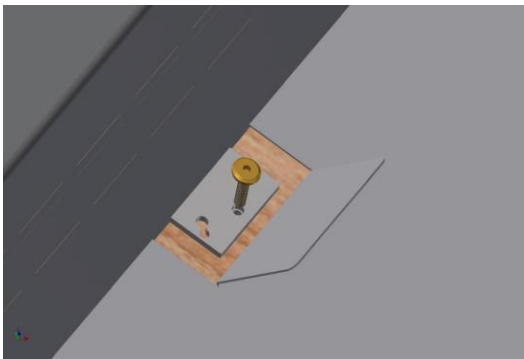


## AKVA Soft Q

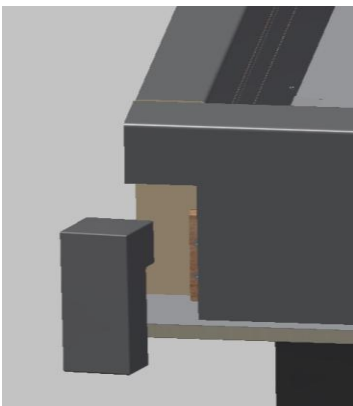
- Fit base and base board: see instructions for Akva bases
- Position the base boards on the base frame and connect them with the four black „legs“. Secure with the fixing paddles using the outer holes.
- The base boards are to be positioned so that the threaded pins point upwards (see illustration).



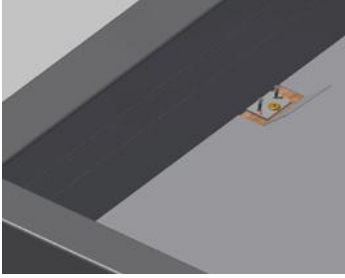
- Fit the bottom of the cover so that the AKVA logo is located at the foot end. Remove the top, place the fixing paddles in the holes at the bottom of the cover and secure them by inserting them in the holes in the base boards.
- Place the head and foot end foams in the cover. Loosely fasten the allen screws through the bracket in the base board pin.
- Place the side foams in the cover likewise. Only loosely fasten the screws. Afterwards, secure the wooden multiplex framework in the corners.



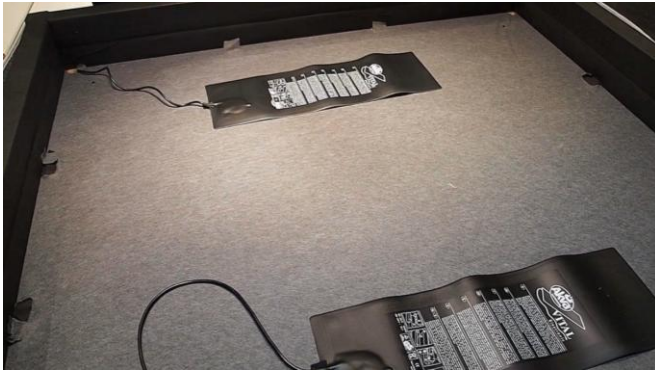
- Place the corner foam inset to close the softside corners.



- Fast the allen screws tightly and use two further screws per angle bracket at each side.



- Place the heating element(s.) Feed out the tube through the hole in the baseboard. See the instructions for Akva Vital Electronic heating element before continuing with the assembly.



- Fit the zipliner safety liner. Avoid creases and make sure the bottom is plain.



- Place the water mattress(es) in the safety liner. See instructions for water mattresses.
- After filling with water, remove the air and add Long Life (water disinfectant.) Zip the top of the cover to the bottom of the cover. Begin at the head end. See also instructions for cover