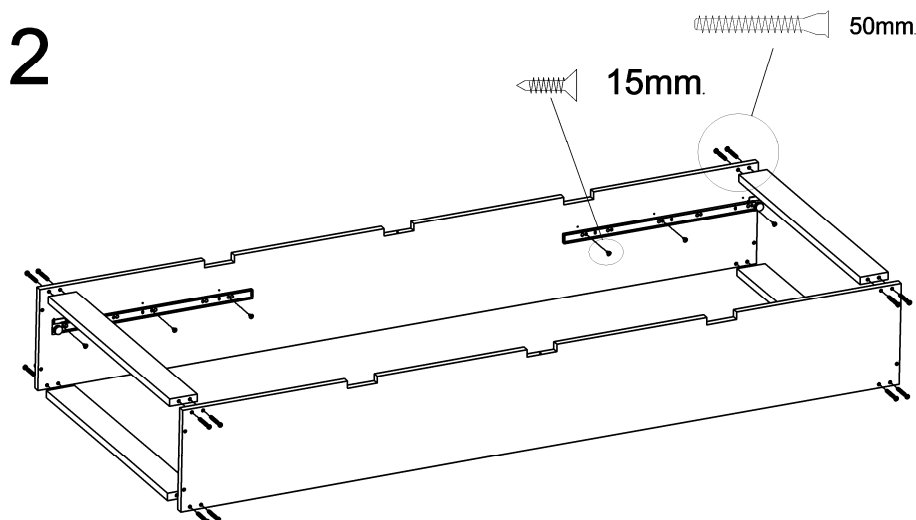
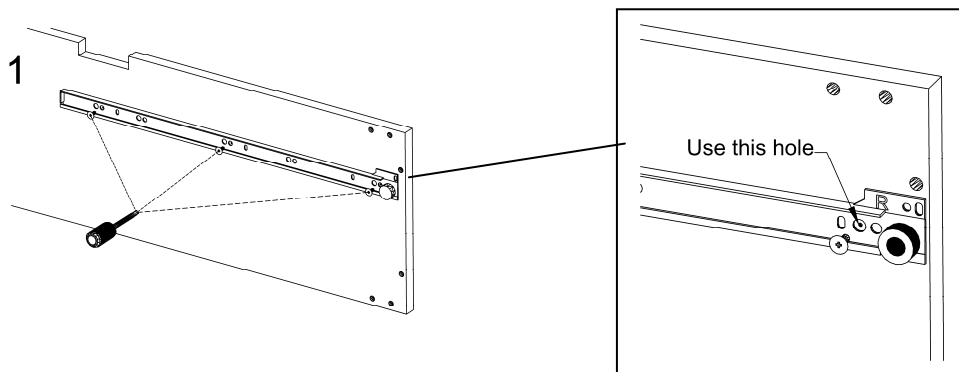
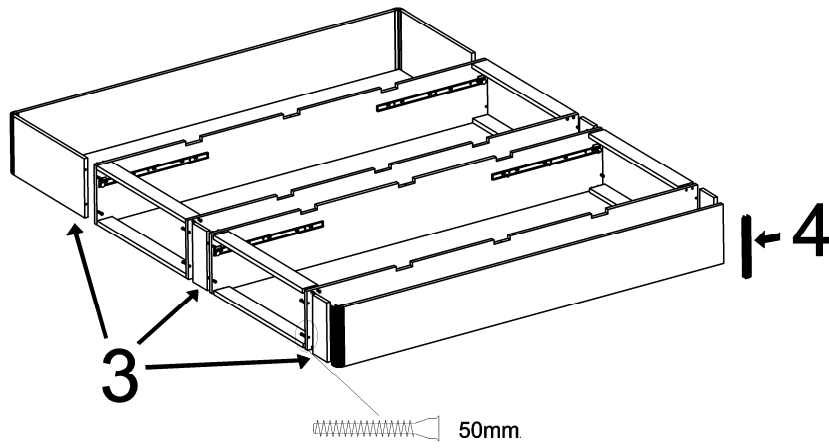


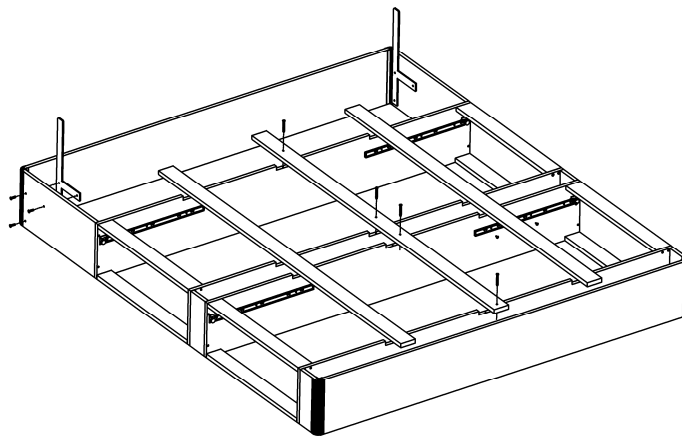
# AKVA 4 BOX

- Fit the rails on the cabinet sides where 3 points are marked with holes (1). Use the indicated holes shown on drawing (1). Turn the wheels on the rails downwards.
  - Assemble the cabinets as shown (2).
  - The cabinets are assembled with an intermediate piece (3).
  - Place one intermediate piece on the cabinets at the foot end (3).
  - At the head end, fit 2 head end pieces which may vary in length depending on the length of the bed (3). Fit the base end with aluminium corners (4).
  - If there is a headboard: fit the headboard fittings to the head end piece (5).
  - Place the bearers in the milled grooves on the cabinet sides. Screw the centre bearer onto the cabinet sides (5).
  - Assemble the drawers by putting down the drawer bottom inside the drawer sides; then screw the drawer back onto the metal sides (6). Please note that the drawer back is placed on top of the drawer bottom (6).
  - Screw the drawer bottom onto the metal sides (6). Mount the brackets on the drawer front and the drawer bottom holders (6).
  - You can adjust the height of the drawer front by turning the screw on the lock bracket (7). Please note that the height can only be adjusted when the screw is loosened (8).
  - Position the stabilisers as shown in the drawing. With headboard (9). Without headboard (10).
  - For fitting base boards: see the instructions for the Akva box base
- NB! If the drawer base has drawers on only one side or is 90, 100 or 120 cm wide: see instructions for Akva 2 box

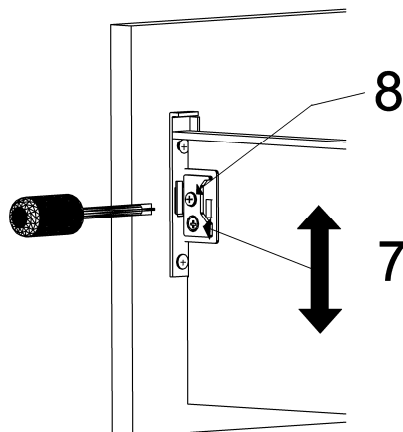
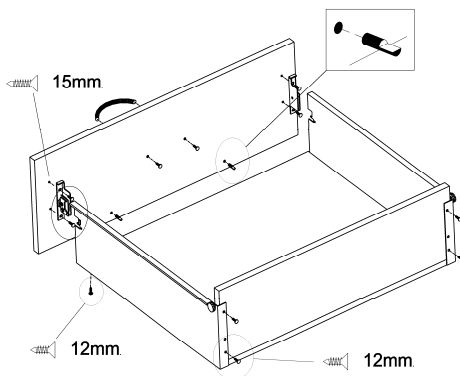




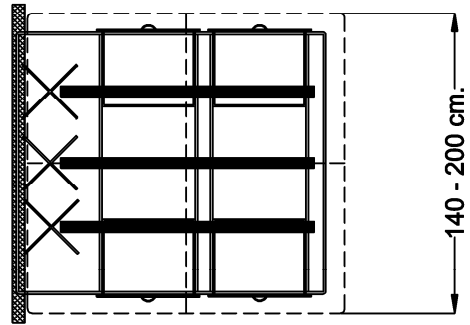
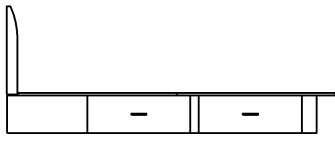
5



6



9



10

