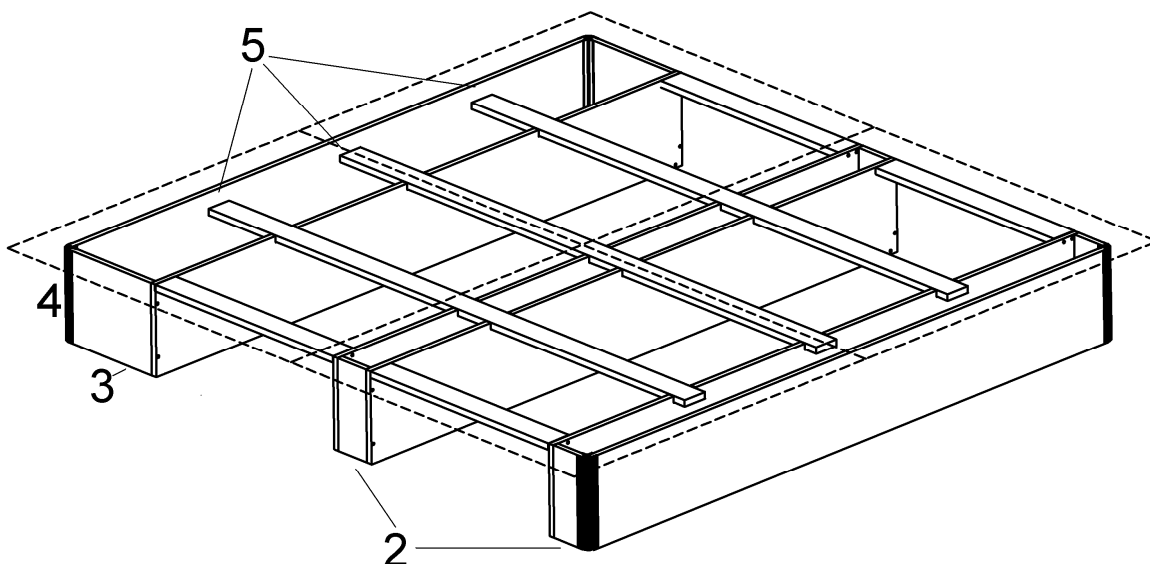
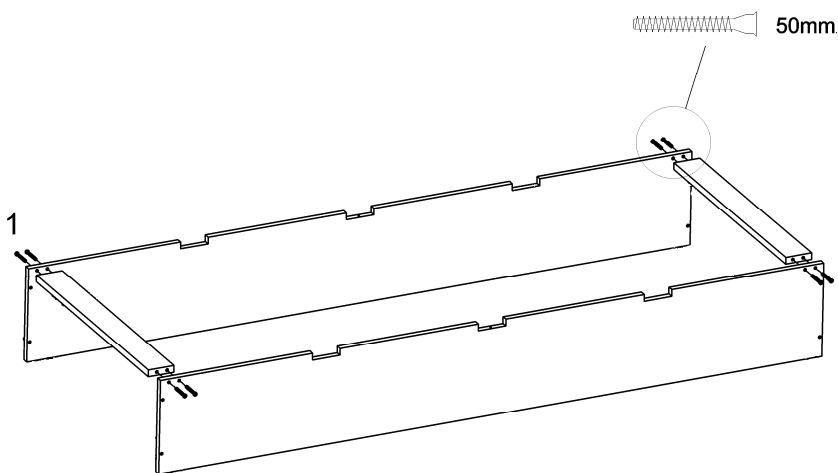
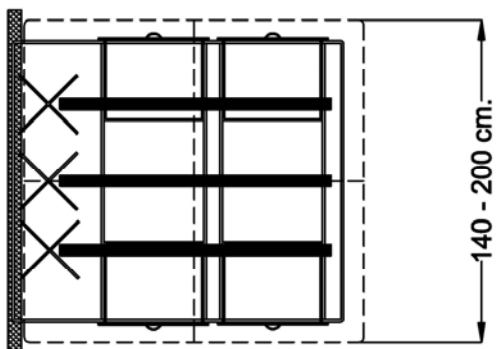


## AKVA 4 Box (on castors)

- Assemble the cabinets as shown with intermediate pieces at each end (1).
- The cabinets are connected with an intermediate piece. An equivalent intermediate piece is placed on the cabinets at the foot end ( 2 ).
- At the head end, fit 2 head end pieces which may vary in length depending on the length of the bed ( 3 ). The head end piece is always longer than that at the foot end.
- Fit the base with aluminum corners ( 4 ).
- If there is a headboard: fit the headboard fittings to the head end piece.
- Place the bearers in the milled grooves on the cabinet sides. Screw the centre bearer onto the cabinet sides ( 5 ).
- Position the stabilisers as shown in the drawing. With headboard ( 6 ). Without headboard ( 7 ).
- For fitting the base boards, see the instructions for the Akva box base.
- Fit the drawers by mounting the back piece of the drawer on the sides ( 8 ). The bottom of the drawer is pushed into the milled grooves in the drawer sides ( 9 ). Please note the pilot holes for the castors must be placed downwards.
- Fit the dowels and machine screws in the pilot holes in the drawer front and the connecting fitting house in the drawer sides. Fasten the drawer front by securing it to the drawer sides and tightening the pinol screw ( 10 ). Mount the brackets on the drawer front.
- The castors are fitted in the pilot holes.



6



7

