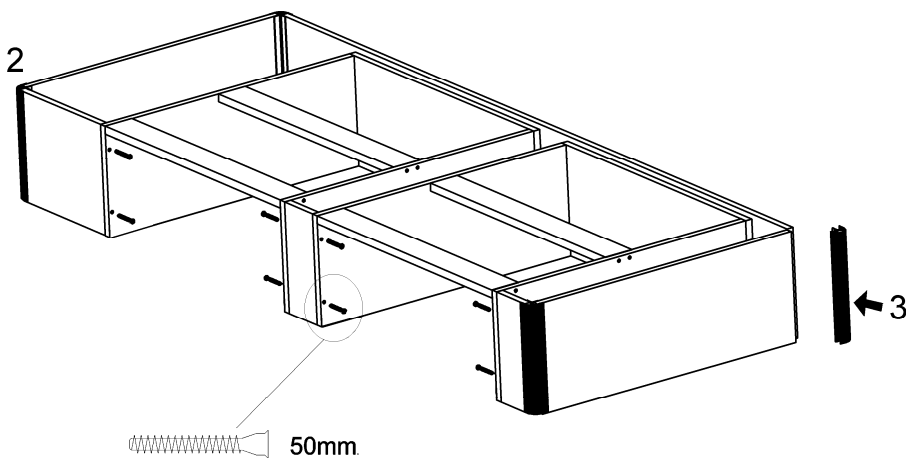
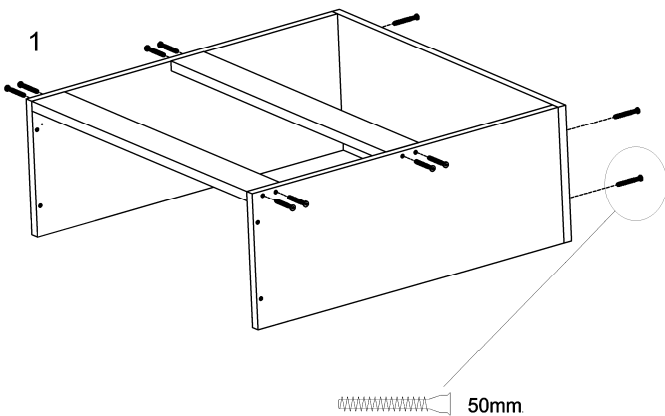
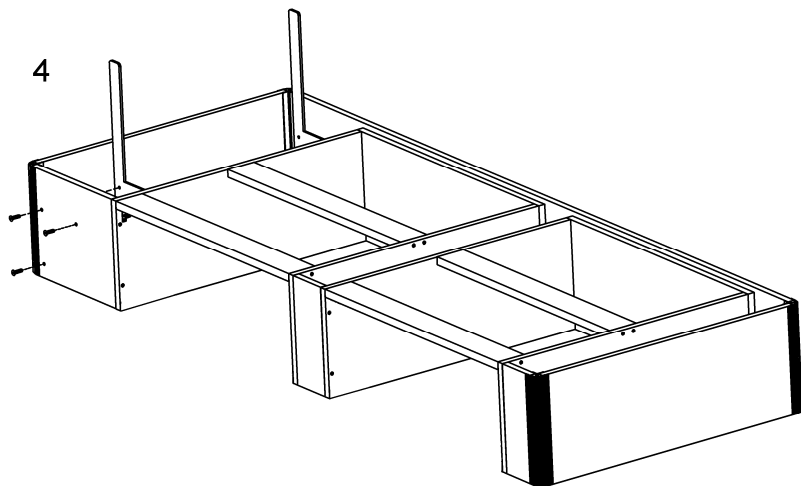


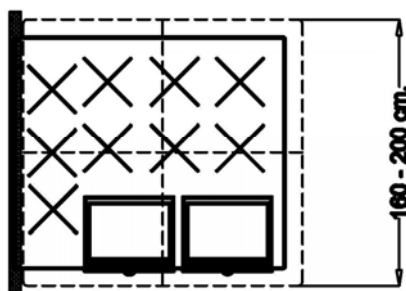
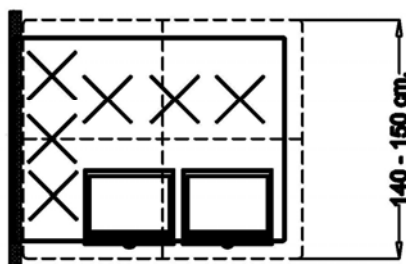
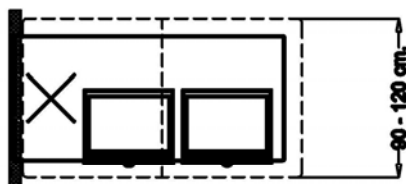
## AKVA 2 Box (on castors)

- Assemble the cabinets by fitting the back piece on the sides and two intermediate pieces at the top of the sides ( **1** ).
- The cabinets are connected with intermediate pieces ( **2** ).  
An equivalent intermediate piece is placed at the foot end.
- At the head end, fit 2 head end pieces which may vary in length depending on the length of the bed. The head end piece is always longer than that at the foot end. Fit the base corners with aluminium corners ( **3** ).
- If there is a headboard: fit the headboard fittings to the head and end piece ( **4** ).
- Position the stabilisers as shown in the drawing. With headboard ( **5** ). Without headboard ( **6** ).
- For fitting base boards: see the instructions for the Akva box base
- Fit the drawer by mounting the back piece of the drawer on the sides ( **7** ). The bottom of drawers is pushed into the milled grooves in the drawer sides ( **8** ) Please note the pilot holes for the castors must be placed downwards.
- Fit the dowels and machine screws in the pilot holes in the drawer front and the connecting fitting house in the drawer sides.
- Mount the brackets on the drawer front ( **9** ).
- The castors are fitted in the pilot holes.





5



6

